



STABILUS AT A GLANCE

INVESTOR PRESENTATION
FEBRUARY 2025

Stabilus SE (the “Company”, later “Stabilus”) has prepared this presentation solely for your information. It should not be treated as giving investment advice. Neither the Company, nor any of its directors, officers, employees, direct or indirect shareholders and advisors nor any other person shall have any liability whatsoever for any direct or indirect losses arising from any use of this presentation.

While the Company has taken all reasonable care to ensure that the facts stated in this presentation are accurate and that the opinions contained in it are fair and reasonable, this presentation is selective in nature. Any opinions expressed in this presentation are subject to change without notice and neither the Company nor any other person is under any obligation to update or keep current the information contained in this presentation. Where this presentation quotes any information or statistics from any external source, you should not interpret that the Company has adopted or endorsed such information or statistics as being accurate. This presentation contains forward-looking statements, which involve risks, uncertainties and assumptions that could cause actual results, performance or events to differ materially from those described in, or expressed or implied by, such statements. These statements reflect the Company’s current knowledge and its expectations and projections about future events and may be identified by the context of such statements or words such as “anticipate,” “believe”, “estimate”, “expect”, “intend”, “plan”, “project” and “target”. No obligation is assumed to update any such statement.

Numbers were rounded to one decimal. Due to rounding, numbers presented may not add up precisely to the totals provided.

OUR MISSION:

We deliver **world class**
motion control solutions.



OUR PURPOSE:

**We make motion easy and safe –
each and every day.**





OUR VISION:

Stabilus – **global leader in
intelligent motion control technologies.**



LEADERSHIP

Global market leader in gas springs, dampers, actuation systems for tailgates, trunk lids, frunks, side doors, as well as in automation, workholding, remote handling and tailor-made motion control solutions



DIVERSIFICATION

Diversified by end-markets, geographies and clients



FINANCIAL PROFILE & PERFORMANCE

Strong track record of **sustainable and profitable growth**: revenue CAGR (2011-2024) of 9.3% with solid double-digit adj. EBIT margins

Strong cash flow generation and returns on invested capital

Proven ability to execute **value accretive acquisitions**



GROWTH OUTLOOK

Excellent growth outlook driven by new applications of existing products, innovation and current mega trends, e.g.

- › increasing demand for comfort and convenience,
- › increasing health and safety standards,
- › increasing demand for automation (as a result of demographic change, labor shortages, as well as reshoring)



€1,305.9m
FY2024 revenue



12.0%
FY2024 adj. EBIT margin



8k
Employees

Revenue by operating segment:



36% AMERICAS



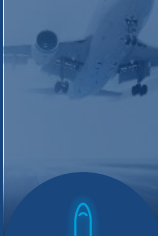
40% EMEA



24% APAC

A WIDE RANGE OF MOTION CONTROL SOLUTIONS FOR **7 MARKET SEGMENTS**

**AEROSPACE,
MARINE & RAIL
(AMR)**



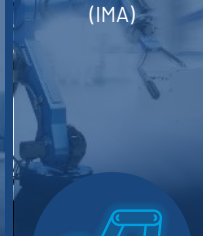
**COMMERCIAL
VEHICLES
(CV)**



**ENERGY &
CONSTRUCTION
(EC)**



**INDUSTRIAL
MACHINERY &
AUTOMATION
(IMA)**



AUTOMOTIVE



**DISTRIBUTORS,
INDEPENDENT AFTERMARKET,
E-COMMERCE (DIAMEC)**



**HEALTH,
RECREATION &
FURNITURE
(HRF)**



IN THE REGION FOR THE REGION – LOCAL FOR LOCAL

STABILUS



AMERICAS

- ARG** Buenos Aires
- USA** Farmington Hills
- USA** Mt. Juliet
- USA** Wheeling
- BRA** Itajuba
- USA** Gastonia
- USA** Red Wing
- MEX** Ramos Arizpe
- USA** Lynnwood
- USA** Sterling Heights
- USA** Auburn Hills
- USA** Miamisburg
- USA** Stoughton



EMEA

- FRA** Sainte-Florine
- GER** Eschbach
- IT** Pinerolo
- ESP** Derio
- GBR** Wolverhampton
- FRA** Poissy
- GER** Koblenz
- IT** Rivoli
- TUR** Bursa
- GER** Aichwald
- GER** Langenfeld
- ROU** Brasov
- GBR** Banbury
- GER** Büttelborn
- GER** Oberursel
- ESP** Barcelona
- GBR** Haydock



ASIA-PACIFIC

- AUS** Dingley
- CHN** Suzhou
- JPN** Yokohama
- SGP** Singapore
- CHN** Changzhou
- IND** Pune
- KOR** Busan
- THA** Bangkok
- CHN** Pinghu
- IND** New Delhi
- KOR** Suwon
- TWN** Tainan
- CHN** Shanghai
- JPN** Nagoya
- NZL** Auckland



Discover Stabilus Motion Control in 3D

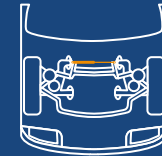
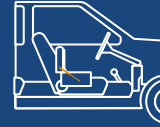
in the Business Park on the Stabilus website, which you can access via this link or this QR code.

GROUP.STABILUS.COM/BUSINESS-PARK-MEDIA

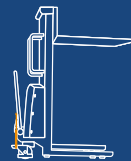


SELECT PRODUCT APPLICATIONS IN AUTOMOTIVE

STABILUS



SELECT PRODUCT APPLICATIONS IN COMMERCIAL VEHICLES STABILUS



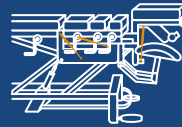
SELECT PRODUCT APPLICATIONS IN HEALTH, RECREATION & FURNITURE

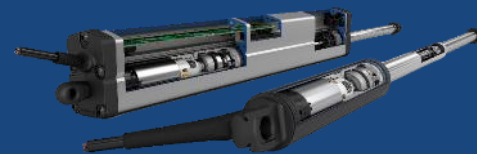
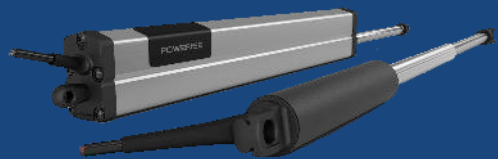
STABILUS



SELECT PRODUCT APPLICATIONS IN HEALTH, RECREATION & FURNITURE

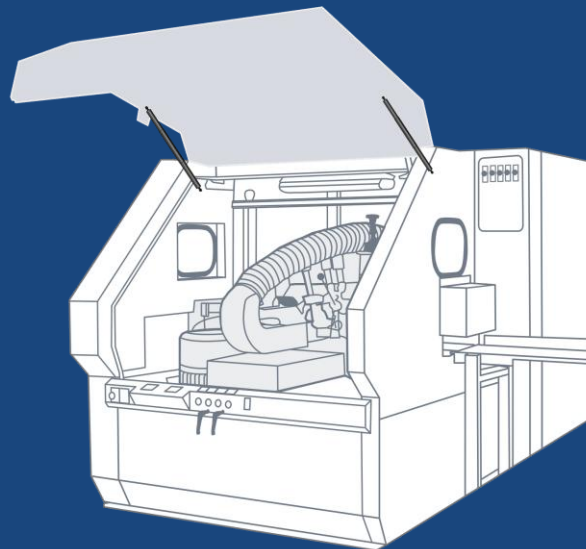
STABILUS





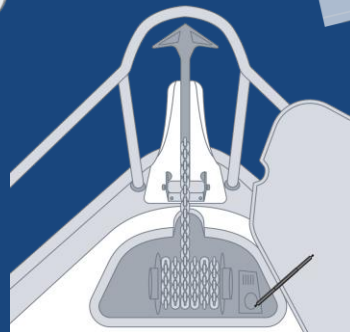
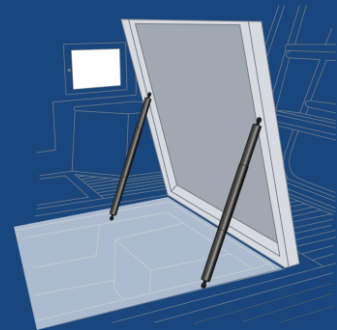
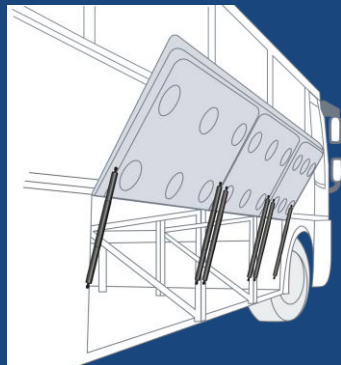
INDUSTRIAL POWERISE®: APPLICATION EXAMPLES IN INDUSTRIAL MACHINERY & AUTOMATION

STABILUS



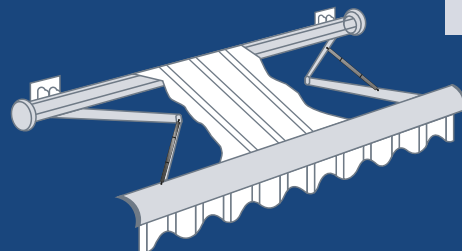
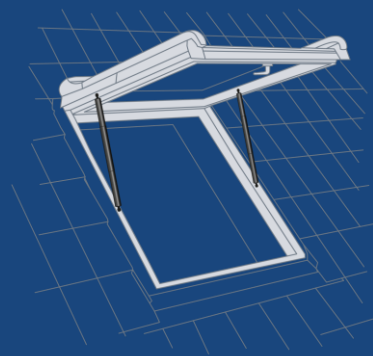
INDUSTRIAL POWERISE®: APPLICATION EXAMPLES IN AEROSPACE, MARINE & RAIL AND COMMERCIAL VEHICLES

STABILUS



INDUSTRIAL POWERISE®: APPLICATION EXAMPLES IN ENERGY & CONSTRUCTION / URBAN LIFE

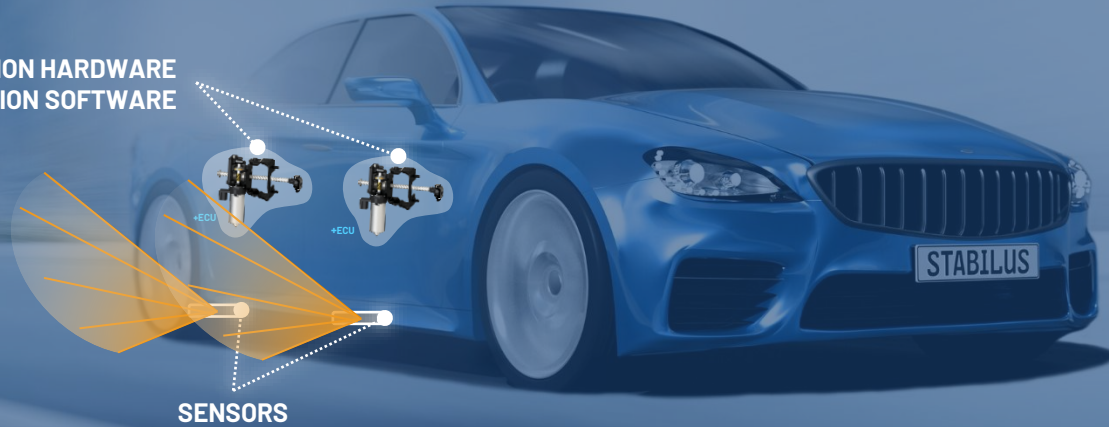
STABILUS



PROVIDING SUBSYSTEMS FOR SIDE DOOR ACTUATION

STABILUS

DOOR ACTUATION HARDWARE
+ MOTION SOFTWARE



**POWER MODE AND
OBSTACLE DETECTION**



**MANUAL
ASSIST MODE**



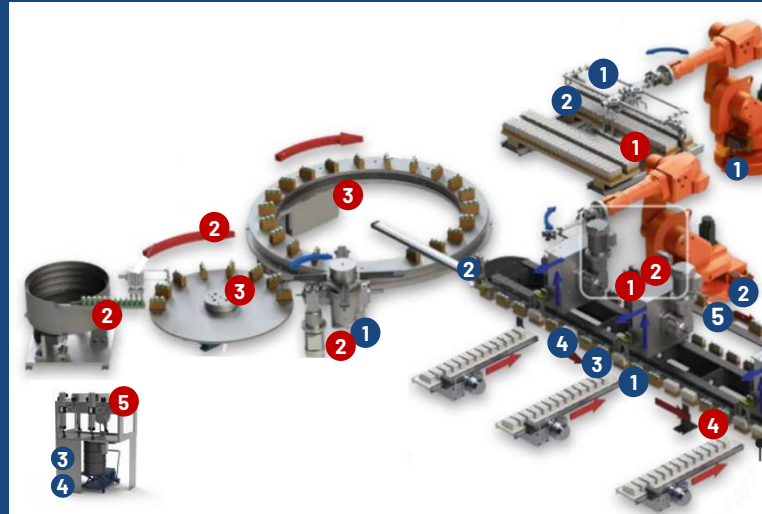
**END POSITION
DAMPENING**



**ACTIVE
HOLDING**

EXAMPLE OF AN AUTOMATED PRODUCTION LINE

- 1 Manual & power clamps
- 2 Grippers
- 3 Indexers
- 4 Conveyors
- 5 Containment solutions



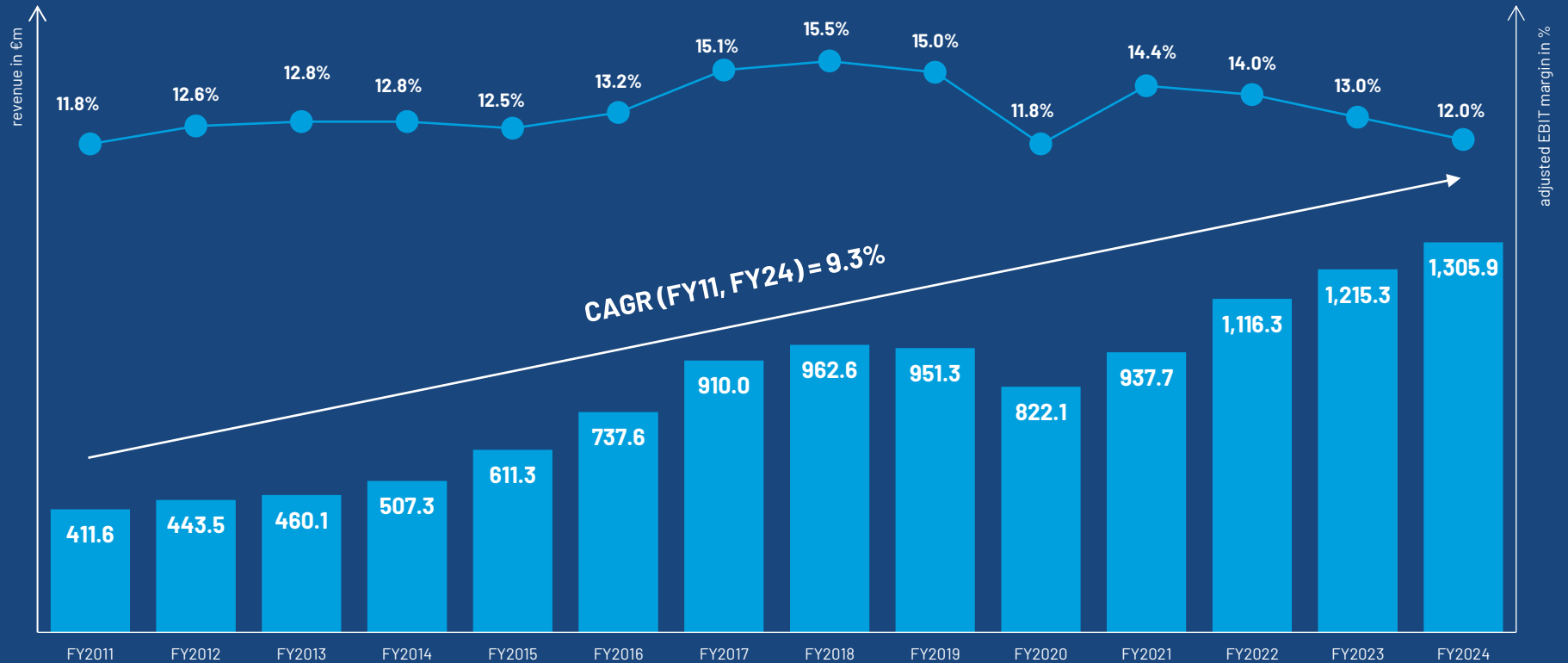
- 1 Shock absorbers
- 2 Safety dampers
- 3 Gas springs
- 4 Vibration isolation
- 5 Industrial Powerise



Stabilus Group offers a unique and very broad portfolio of motion control solutions for customers in the industrial machinery & automation sector.

STRONG TRACK RECORD OF SUSTAINABLE AND PROFITABLE GROWTH

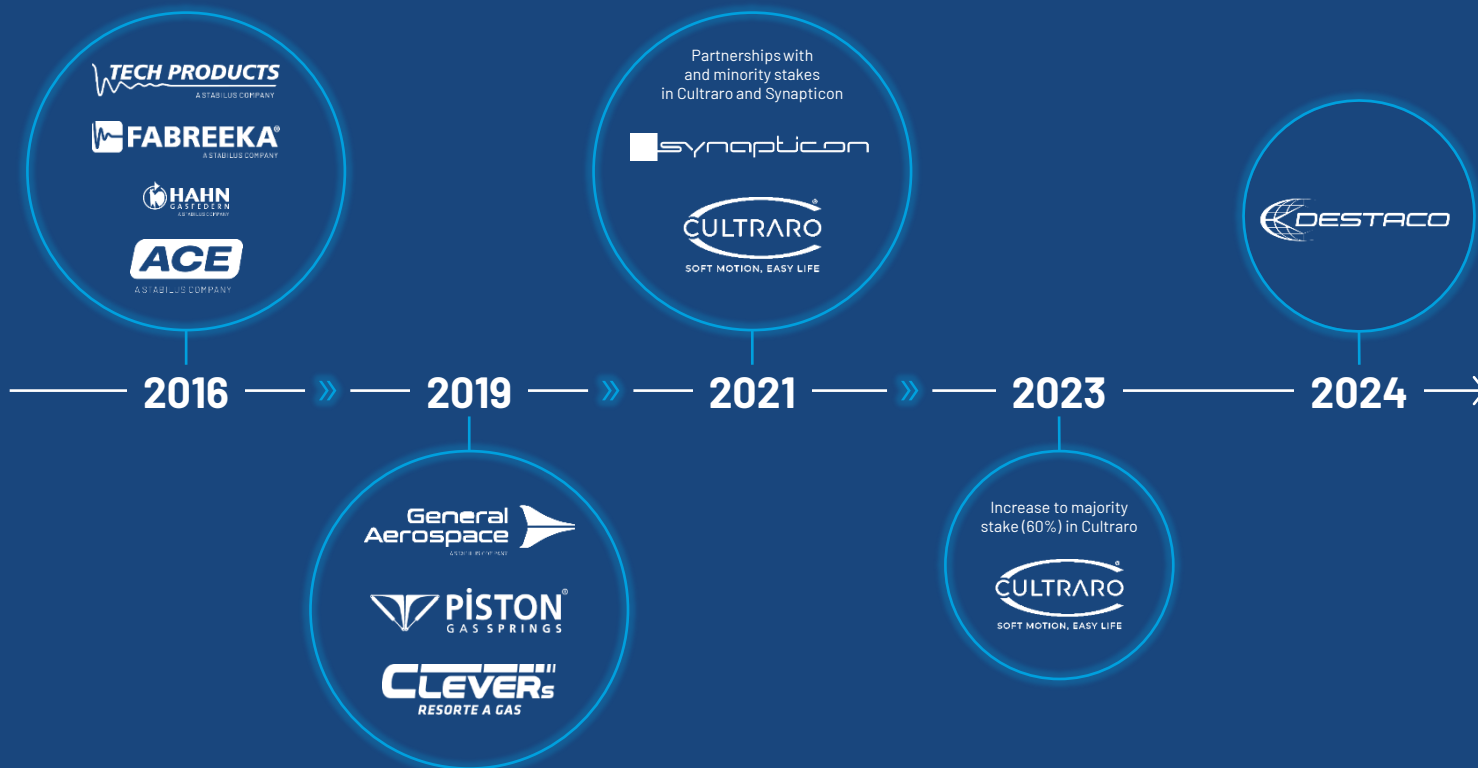
STABILUS



SUCCESSFUL M&A TRACK RECORD SINCE IPO IN 2014

PROVEN ABILITY TO EXECUTE VALUE ACCRETIVE ACQUISITIONS

STABILUS



Successful integration of various acquisitions since IPO

Disciplined approach, to acquire businesses that fit our strategic ambitions

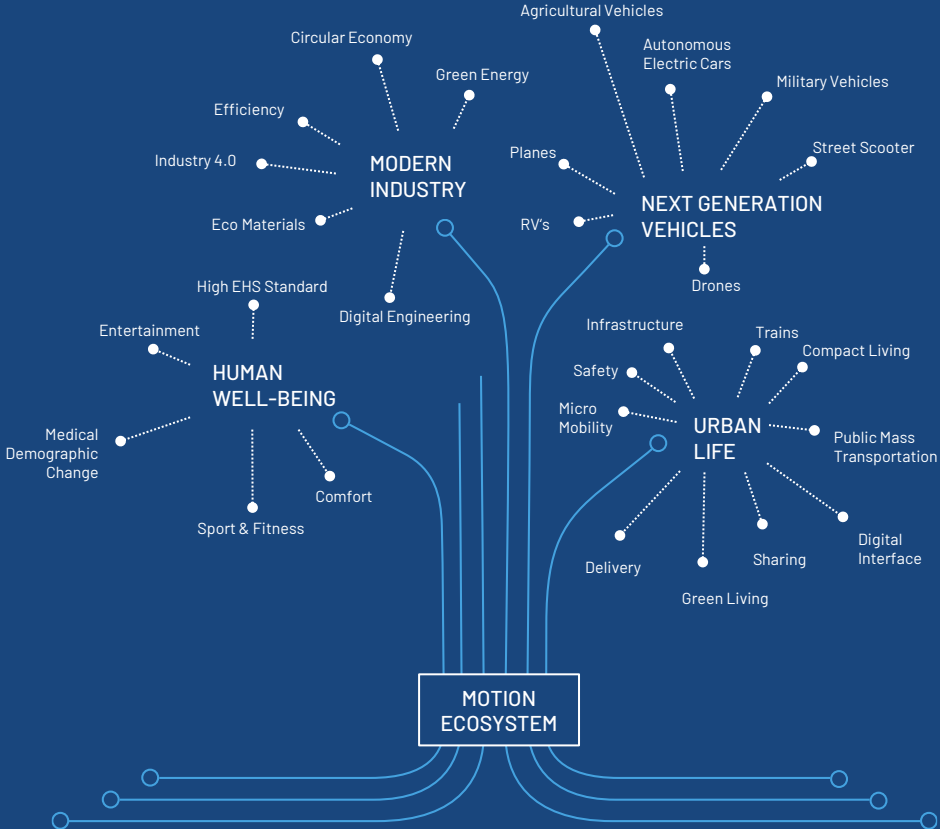
Continuous review of inorganic growth options

Commitment to our **sustainable capital deployment and financing strategy**



MOTION ECOSYSTEM AND STABILUS INNOVATION TREE

PLENTY OF ROOM TO GROW WITH SMART MOTION CONTROL





We strive to be the industry's leading motion ecosystem manager –

the first choice for world-class motion control solutions.



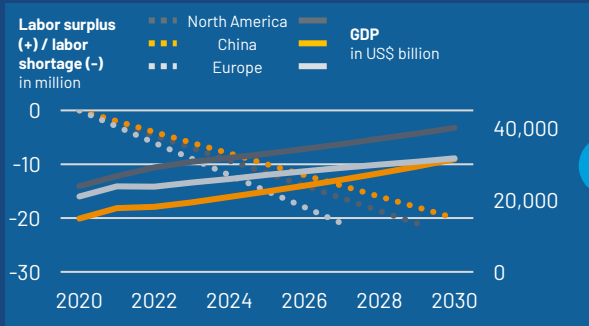


INCREASING DEMAND FOR SAFETY, COMFORT, AUTOMATION

STABILUS

EXCELLENT GROWTH OUTLOOK FOR STABILUS MOTION CONTROL

LABOR SHORTAGES



Source: IMF World Economic Outlook et al.

INDUSTRIAL RESHORING



WORK SAFETY AND COMFORT



- › Economic growth requires higher production capacity.
- › **Labor shortages**, driven by demographic change, limit production capacity and economic growth.

- › Current geopolitical situation necessitates balanced production footprint.
- › **Industrial reshoring** brings manufacturing back to high-cost countries.

- › Demand for **safe and ergonomic working environment** continues to increase.
- › Workers prefer physically less strenuous jobs.



As a result, intelligent motion control and automation is required to offset labor shortages, to ensure competitiveness and to perform physically demanding tasks.



STABILUS

M O T I O N C O N T R O L

Experience Stabilus motion control virtually
[GROUP.STABILUS.COM/BUSINESS-PARK-MEDIA](https://group.stabilus.com/business-park-media)



Contact Stabilus IR
[IR.STABILUS.COM](https://ir.stabilus.com)